

**DESIGN,
COMFORT
AND PRODUCTIVITY**

REX4



REX4 F GE GB GT V

4-070 4-080 4-090 4-100 4-110 4-120

Landini®

Passion for Innovation.



R



LANDINI REX4, INNOVATIVE BY TRADITION

Sometimes innovation is so ground-breaking it looks like a revolution. With its innovative REX4 tractor range, Landini sets a benchmark for row-crop tractors around the world.

For over 30 years, the Argo Tractors Group has based its success on specialisation and resource integration; a winning strategy that has enabled Argo Tractors engineers to further enhance the already advanced features of the REX range.

Incorporating cutting-edge solutions and technologies designed to meet the most exacting demands of modern farming, the new REX4 marks a breakthrough in the specialty tractor segment in terms of compact design, ergonomics, comfort and flexibility.

The REX4 knows how to stand out: the sleek, dynamic lines of the hood, the lights seamlessly integrated into the front grill and the Lounge cab with its flat-deck platform give the REX4 an automotive look and feel. A contemporary design which reflects the very essence of Landini's mission: to offer maximum innovation, productivity and comfort, as per tradition.

REX4



HIGHLIGHTS

- Driving position with flat central tunnel, high-quality fit and finish and ergonomically-designed controls.
- Developed by Argo Tractors, the transmission of the cab models provides four speeds in three ranges and features a synchro or power shuttle. Optionally, it can be fitted with either a two-stage Hi-Lo powershift (Power Four) or a three-stage HML powershift (T-Tronic). All transmissions are available with creeper option.
- Beside the rigid-mounted type, a new front axle with central suspension system is available as an option for all F and GT cab models.
- A wide choice of hydraulic circuit configurations is available to cover the most diverse application needs.
- The new 2.9-liter Deutz four-cylinder engines meeting Stage 3B /Tier4 Interim emissions regulations ensure high performance and maximum reliability.
- The range includes six versions for the F, GE and GT models and five versions for the GT and V models with power ratings from 70 to 112 hp at 2000 rpm.

The REX4 range is available in ROPS version for the F, GE, GB and GT models and in cab version for the F, GT and V models. The range offers a choice of transmissions and a variety of front and rear axles providing different wheelbase sizes, ground clearances and track widths. The REX4 series comes in five models to suit specific applications:

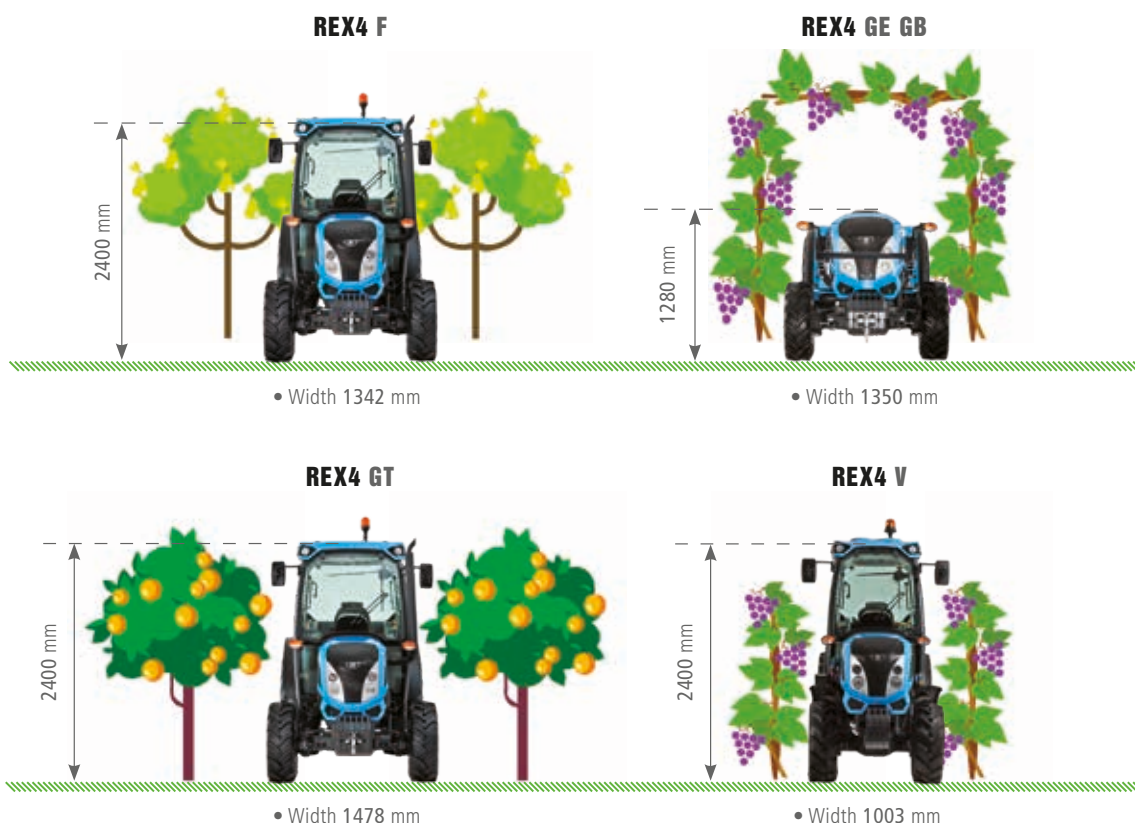
F model for narrow-row orchards: ideal for work between tight orchard rows.

GE model for low orchards: perfect for moving under low-hanging branches.

GB model with ultra-low profile: designed to operate under overhead trellis systems.

GT model for wide-row orchard: ideal for orchards with wide row spacing and for field work.

V model for vineyards: specially designed to operate between vineyard rows.





CAB

All-round visibility
and first-class comfort
page 6

SATELLITE-BASED GUIDANCE

More accuracy,
more productivity
page 18

EXHAUST SYSTEM

Emissions under control
page 32

ISOBUS

Simple and efficient
implement control
page 20

HYDRAULIC SYSTEM

Innovative
for maximum flexibility
page 16

ENGINE

A new heart
page 30

ELECTRONIC HITCH

Powerful and easy to use
page 17

SUSPENDED AXLE

Unmatched manoeuvrability
page 14

TRANSMISSION

Versatile and tailored
to suit every need
page 10



VISIBILITY



LOUNGE CAB: ALL-ROUND VISIBILITY AND FIRST-CLASS COMFORT

At Landini, we are well aware that more comfort means more productivity. That's why we have developed the Lounge cab: a true mobile office where working becomes fun.

The Lounge cab is a four-post design with rear-hinged doors that provides ease of access to the driving seat and unequalled all-round visibility. With its flat-deck platform, fully adjustable driving position, ergonomic controls and automotive-grade fit and finish, the Lounge cab offers the operator a comfortable workplace all year round and in all weather conditions.

The exterior cab width is 1205 mm on the F and GT models and 1000 mm on the V model.



HIGHLIGHTS

- Spacious and comfortable cab thanks to the flat-deck platform
- Best-in-class heat and sound insulation
- Four-post design for unmatched all-round visibility
- Category 4 protection for maximum operator safety during pesticide spraying
- Ergonomic arrangement of all controls
- Air-suspension seat and tilt-adjustable telescopic steering wheel
- Automotive-style fit and finish for maximum comfort

MADE-TO-MEASURE DRIVING POSITION: MORE COMFORT, BETTER CONTROL, GREATER PRODUCTIVITY

The interior of the Lounge cab is inspired by the automotive industry to offer the operator a more comfortable driving and working environment. Inside the cab, you have everything under control and within reach. The digital instrument panel keeps you constantly informed on the tractor performance; the telescopic tilt-adjustable steering wheel is designed

to tilt with the instrument panel; the joystick and all control levers and pedals are ergonomically positioned for maximum ease of operation; the driver's air suspension seat provides maximum seating comfort. All these creature comforts reduce the operator's fatigue and allow greater concentration on the job in hand, resulting in increased productivity.





EXCELLENT CLIMATE CONTROL

A highly-efficient climate control system, installed on the cab roof, maintains the desired cab temperature whatever the outdoor weather conditions. The climate controls are conveniently integrated into the overhead console on the driver's left-hand side. Natural ventilation is ensured by the opening front and rear windscreens.

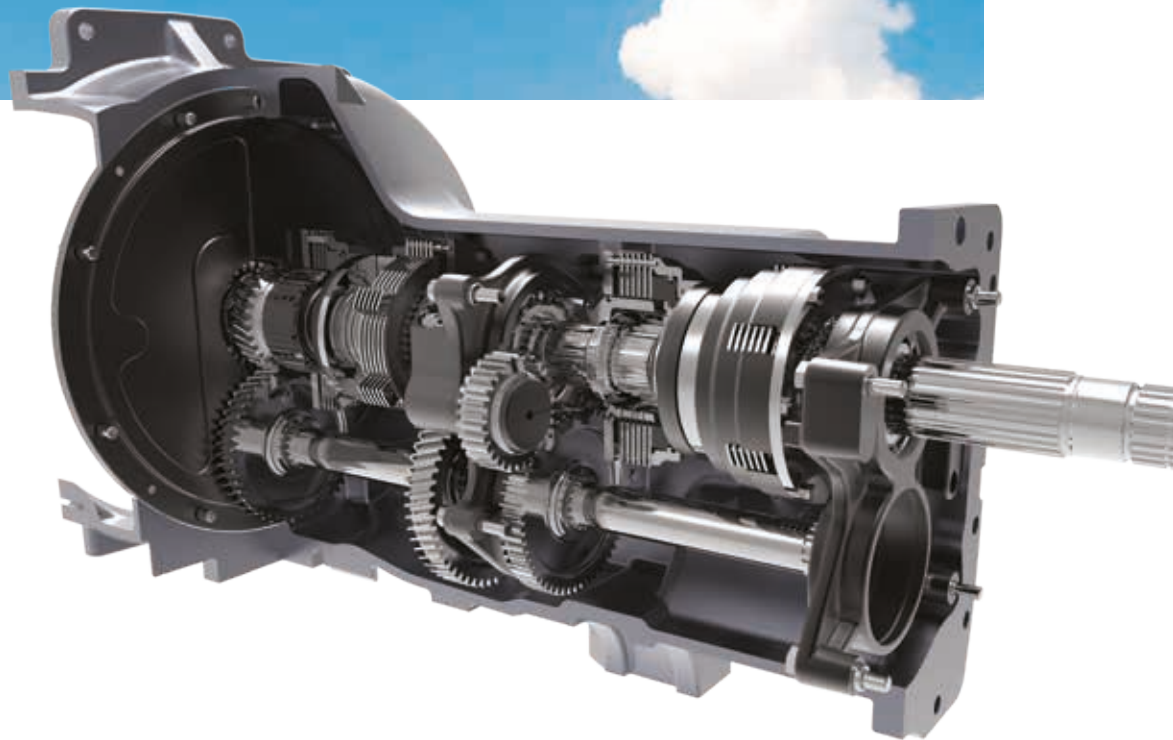
QUIETNESS AND SAFETY ON BOARD

The REX4 features an excellent soundproofing and pressurisation system which converts the Lounge cab into a clean, quiet and dust-free working environment. In addition, an activated carbon filter with category 4 filtration protects the operator from contamination during the application of pesticides.



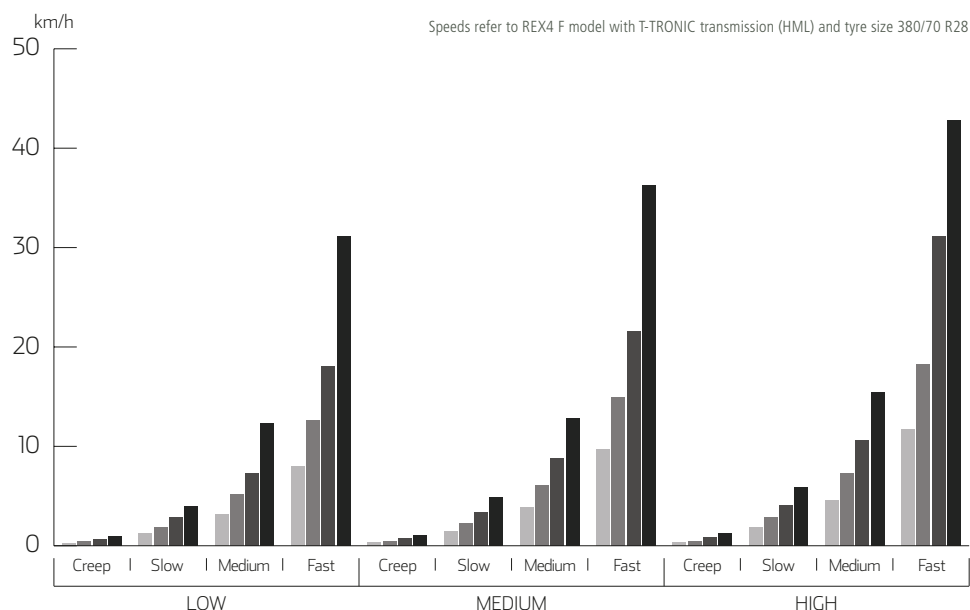


EFFICIENCY



VERSATILE TRANSMISSION TO SUIT EVERY NEED

The REX4 tractors feature as standard a Speed Four modular transmission with four synchronized gears and three ranges that provide 12 forward and 12 reverse speeds. Transmission options include a Power Four module (Hi-Lo splitter) providing 32 forward and 32 reverse speeds, a T-Tronic three-stage powershift (high-medium-low) giving a total of 48 forward and 16 reverse speeds, and a creeper that provides speeds as low as 300 m/h at maximum engine rpm.



ECO FORTY FOR REDUCED FUEL CONSUMPTION AND NOISE

The Eco Forty mode provides a top speed of 40 km/h at a reduced engine speed of 1800 rpm, resulting in increased fuel economy and lower noise during road transport.

TRANSMISSION COMBINATIONS FOR REX4 CAB

SPEED FOUR + SYNCHRO SHUTTLE	12FWD+12REV
SPEED FOUR + CREEPER + SYNCHRO SHUTTLE	16FWD+16REV
SPEED FOUR + POWER FOUR + CREEPER + SYNCHRO SHUTTLE	32FWD+32REV
SPEED FOUR + POWER SHUTTLE	12FWD+12REV
SPEED FOUR + CREEPER + POWER SHUTTLE	16FWD+16REV
SPEED FOUR + POWER FOUR + CREEPER + POWER SHUTTLE	32FWD+32REV
SPEED FOUR + T-TRONIC + POWER SHUTTLE	36FWD+12REV
SPEED FOUR + T-TRONIC + CREEPER + POWER SHUTTLE	48FWD+16REV



CHOICE OF SYNCHRO OR POWER SHUTTLE

The REX4 tractors are fitted as standard with a synchro shuttle. Optionally available is an electrohydraulic power shuttle with response modulation to suit operating conditions.



DE-CLUTCH FEATURE

Both the Power Four and T-Tronic transmissions feature a de-clutch button on the gearshift lever for electrohydraulic control of clutch. The de-clutch button and the power shuttle allow the operator to shift through all gears and change from forward to reverse without using the clutch pedal.



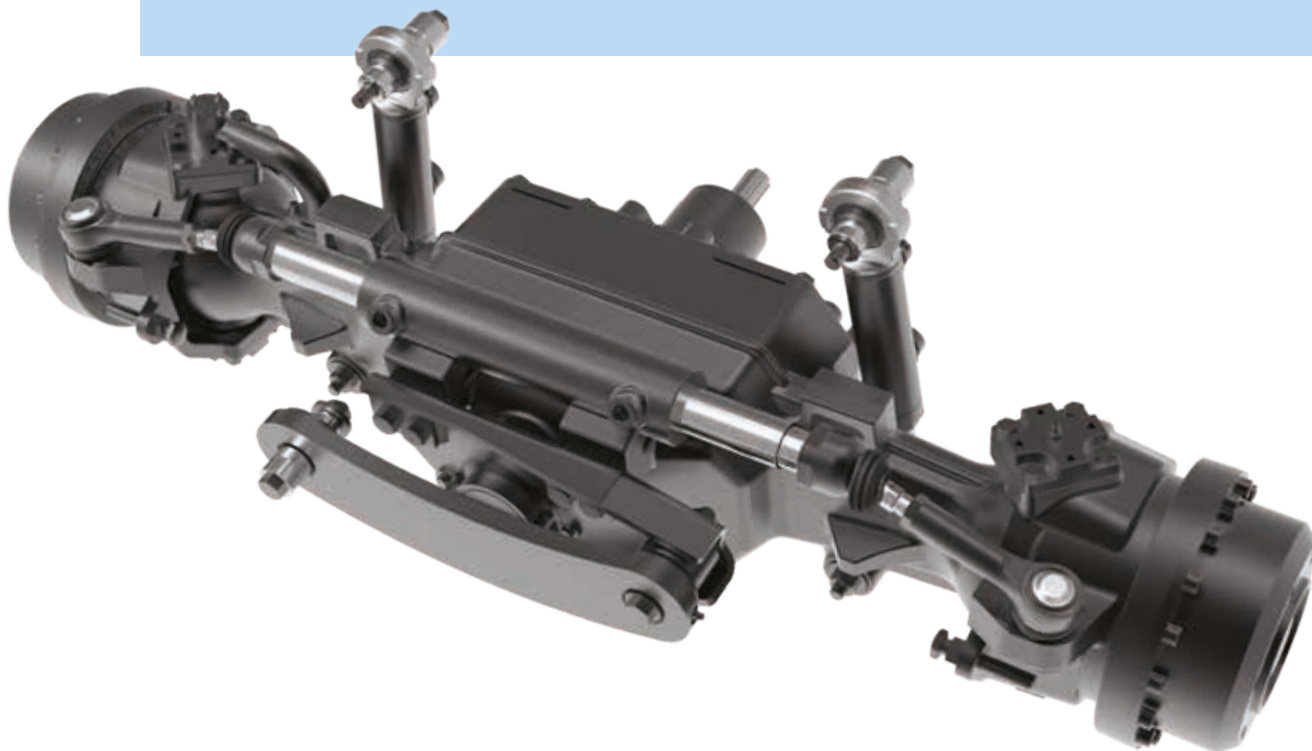
CHOICE OF TWO- OR FOUR-SPEED PTO

The rear PTO offers two speeds: 540/540e rpm or 540/1000 rpm. A four-speed PTO providing 540/540Ee/1000/1000E rpm is also offered as an option for cab models. An Auto PTO feature, available in combination with the electronic rear hitch, will automatically disengage and reengage the PTO at three-point linkage heights set by the operator, giving the operator precise control of the implement during headland turns.



MODULATED PTO ENGAGEMENT FOR INCREASED OPERATOR COMFORT

A power-assisted button enables smooth and modulated engagement of the PTO. This ensures a soft start-up of the implement for greater operator comfort.



SUSPENDED AXLE FOR UNMATCHED MANOEUVRABILITY

A front axle with central suspension system is optionally available for the F and GT cab versions beside the rigid-mounted axle. Featuring differential lock and wet disc brakes, the suspended front axle provides better grip and greater stability in difficult ground conditions. This improves traction and manoeuvrability in the field and makes for faster travel speeds on the road, ensuring maximum safety and ride comfort in any situation. The 55° steering angle provides excellent manoeuvrability in confined spaces and the combined action of the front and rear wet disc brakes makes for safe and efficient braking on all four wheels.

HIGH-PIVOT FRONT AXLE FOR V MODELS

Vineyard versions can be specified with a high-pivot rigid-mounted front axle with increased swing to better negotiate uneven terrain. This axle is available in two versions: standard and narrow. The narrow version has a minimum overall width of 1000 mm.



ELECTROHYDRAULIC DIFFERENTIAL LOCKS FOR MAXIMUM TRACTION

The combined front and rear differential locks and the electrohydraulic four-wheel drive engagement ensure maximum traction even in the toughest ground conditions. The system is controlled electronically through an Auto function which automatically engages or disengages the differential lock and the four-wheel drive during headland operations.



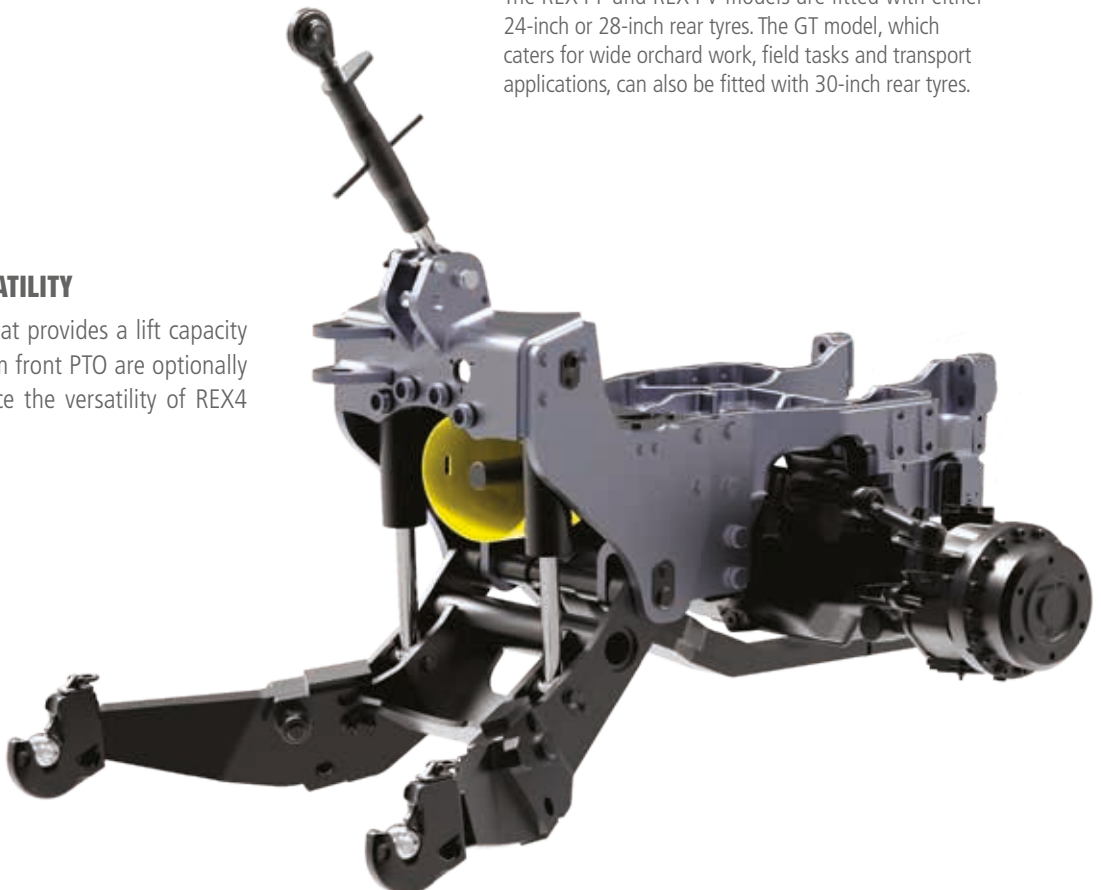


HIGHLIGHTS

- The REX4 F and REX4 V models are fitted with either 24-inch or 28-inch rear tyres. The GT model, which caters for wide orchard work, field tasks and transport applications, can also be fitted with 30-inch rear tyres.

FRONT HITCH AND PTO FOR UNEQUALLED VERSATILITY

A front hitch Category 2 that provides a lift capacity of 1400 kg and a 1000-rpm front PTO are optionally available to further enhance the versatility of REX4 tractor range.





INNOVATIVE HYDRAULIC SYSTEM FOR MAXIMUM FLEXIBILITY

A JOYSTICK TO OPERATE IMPLEMENTS

Mid-mounted front remote valves are controlled by a joystick which operates both front- and mid-mount implements.



The REX4 comes with a variety of hydraulic options and configurations to offer farmers tailored solutions for their applications. The hydraulic system of the REX4 range comes standard with a double pump that supplies 50 l/min to the rear hitch and remotes and 28 l/min to the steering system. Optionally, it can be equipped with a triple pump that provides a flow rate of 44+41+28 l/m to operate, respectively, the rear hitch and remotes, the front remotes and the steering system.

The tractor can be equipped with up to seven remote valves, four at the rear and three at the front. Available options include three electrohydraulic front remotes, a flow selector to control multiple outlets with a single control and a flow divider to regulate the flow rate to the remotes.

The F and V models can be equipped with rear hydraulic stabilizers which control opening and closing of the lower links via two simple push-buttons. This function can be useful when attaching implements or when hitch adjustment during inter-row operation is required.



INTUITIVE CONTROLS FOR SIMPLE OPERATION

Fingertips controls conveniently integrated into the right-hand console provide easy and intuitive control of the electronically-operated rear hitch. The sensors located on the three-point linkage allow optimum adjustment of hitch sensitivity for maximum efficiency of the tractor-implement combination.



POWERFUL, EASY-TO-USE ELECTRONIC REAR HITCH

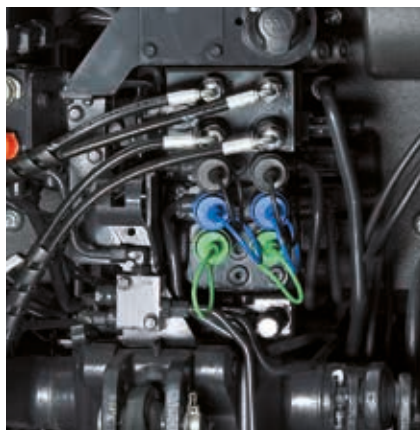
The three-point hitch Category 2 offers a lift capacity of 2700 kg. The GT models can be optionally equipped with twin assistor rams to increase lift capacity up to 3400 kg

CONVENIENT HITCH CONTROLS ON FENDERS

The hitch controls are located on the rear fenders making it easier to attach implements from the ground.

PRACTICAL QUICK COUPLINGS

The high-quality quick-release couplings, mounted on both the front and rear of the tractor, are easily accessible for convenient and fast operation.





SATELLITE-BASED GUIDANCE: HIGHER ACCURACY, GREATER PRODUCTIVITY

The optional satellite-based guidance system is controlled via a dedicated 8.4" touchscreen monitor in conjunction with a satellite antenna fitted on the roof of the tractor cab.

The monitor manages two functions:

1. The Precision Steering Management system, which provides precise steering control delivering up to 2cm accuracy in row-crop operations. Such a high level of precision greatly increases productivity per unit land area. Supplied in conjunction with the satellite guidance system is also the Eazysteer function, which allows the tractor to make a complete turn with just a quick turning of the steering wheel. This avoids multiple turns of the steering wheel, thereby improving ride comfort and optimising working time.
2. Configuration and control of the ISOBUS system with management of advanced features such as the Task & Section Controller.

ACCURACY





SATELLITE ANTENNA

The satellite antenna placed on the cab roof receives the GPS signal.



ELECTRONIC STEERING WHEEL

The electronic steering wheel, via the touch screen monitor, allows precise steering during row-crop operations with a maximum error of 2 cm.





ISOBUS, FOR SIMPLE AND EFFICIENT IMPLEMENT CONTROL

The REX4 range can be optionally equipped with an ISOBUS system, a protocol for data communication between tractor, implement and on-board computer, that enhances operating efficiency and productivity. The operator can manage the operating parameters and performance of the implement via a simple touch screen monitor, without the need to install a dedicated control unit inside the cab.

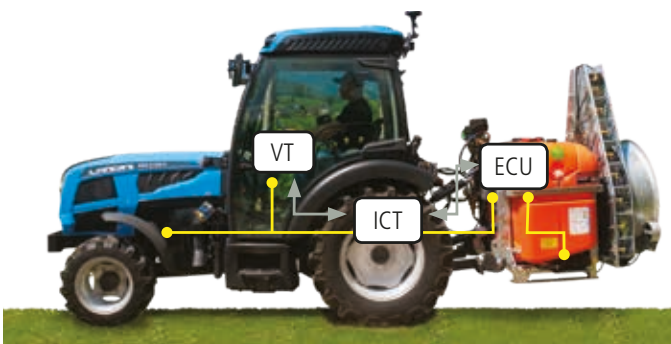


BENEFITS OF SATELLITE-BASED GUIDANCE AND ISOBUS SYSTEM



TOUCH-SCREEN MONITOR

An 8.4-inch touch screen monitor manages the satellite-based guidance and the ISOBUS system.



The satellite-based guidance allows operator to set the working track with a maximum error of 2cm: a degree of accuracy that even the most expert operators cannot achieve. The satellite-based guidance and the ISOBUS system enable the REX4 to maximise efficiency and productivity:

- > Each implement operation is controlled with extreme accuracy. Implement can also be managed via an electronic self-adjustment feature.
- > Reducing the travelled distance in the field reduces tractor and implement wear and saves fuel.
- > The application of variable rate treatments improves product use efficiency maximizing crop yield.
- > Report and pre-setting operations become more user-friendly and can be done from home. This eliminates the need for expert operators, thus reducing operating costs.



PL



ROOMY OPEN PLATFORM FOR COMFORT AND EASE OF OPERATION

The ROPS version of the REX4 tractor features an innovative design which combines beauty and functionality. The sleek, dynamic lines of the hood and the rounded profile of the fenders allow this tractor to move easily under low branches and through narrow rows. Spacious, comfortable and safe, the driving position ensures exceptional all-round visibility, thereby maximising productivity.



HIGHLIGHTS

- Spacious and comfortable iso-mounted platform
- Ease of access to the driving position
- Excellent front and rear visibility
- Ergonomically-arranged controls
- The GB model offers the lowest driving position in its class



MORE COMFORT AND LESS FATIGUE: THE OPERATOR IN FOCUS

The driving position has been designed to allow ease of movement and to reduce operator fatigue during long working days in the field. The spacious platform is iso-mounted to absorb impacts of rough terrain and allows easy access to the driving position. The optimum distance between the driver's seat and the steering wheel and the ergonomic arrangement of all controls make for maximum comfort and ease of operation.

HIGHLIGHTS

- Axles equipped with central drive, differential lock and hydraulic 4WD engagement
- Steering angle up to 55°



FRONT AXLE WITH 55° STEERING ANGLE

For the ROPS version of the REX4 two types of rigid-mounted 4WD front axle are available: narrow for the F, GE and GB models and large for the GT model. Both axles incorporate advanced features including central drive, Hydra Lock differential lock and hydraulic four-wheel drive engagement. In addition,

the combined front and rear wet disc brakes ensure efficient braking on all four wheels. Optimization of the engine compartment and adoption of either 18- or 16-inch tyres allow a steering angle of up to 55° to be obtained, making for excellent manoeuvrability in tight quarters.



FUNCTIONAL FOLDING ROPS

The ROPS is equipped with two pneumatic cylinders to aid raising and lowering of the frame.

LANDINI REX4 GB, FOR THOSE WHO WANT TO KEEP A LOW PROFILE

The driving position of REX4 GB (ultra low) is the lowest in the industry for its class. With a steering wheel height of only 1280 mm, this tractor is ideal

to operate under overhead trellis systems or to slide through low-hanging branches as in kiwi-fruit plantations.



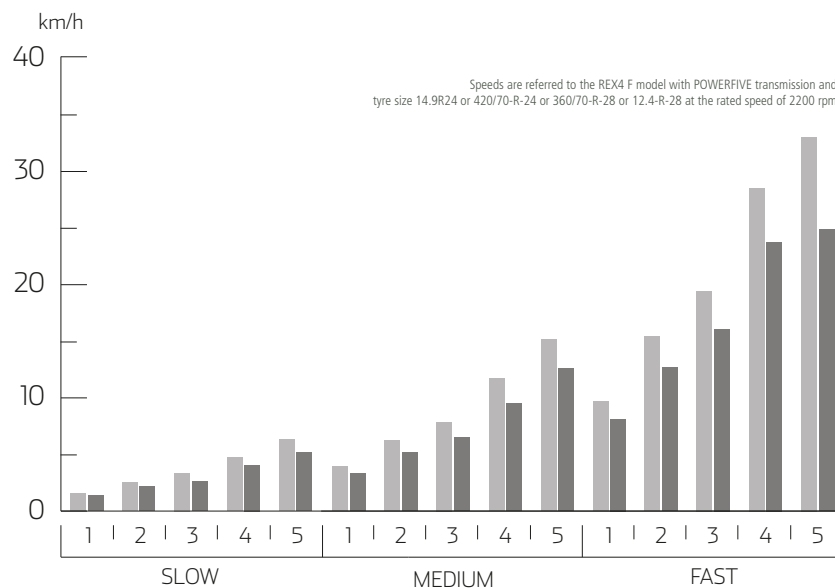
HIGHLIGHTS

- Transmissions: Speed Four with 12FWD+12REV speeds; or Speed Five with 15FWD+15REV speeds
- De-Clutch and Reverse Power Shuttle to shift through gears and change from forward to reverse without using the clutch pedal

POWER FIVE TRANSMISSION TO BE ONE STEP AHEAD

The ROPS version of the REX4 features as standard a Speed Four transmission with four gears and three ranges providing 12 forward and 12 reverse speeds with synchro shuttle. A 15+15 Speed Five transmission with five gears and three ranges with either synchro or power shuttle is available as an option.

The Speed Five transmission can be combined with a Power Five module to obtain up to 30 forward and 30 reverse speeds. A creep speed option is available for all versions.



TRANSMISSION COMBINATIONS AVAILABLE FOR REX4 PLAT

SPEED FOUR + SYNCHRO SHUTTLE	12FWD+12REV
SPEED FOUR + CREEPER + SYNCHRO SHUTTLE	16FWD+16REV
SPEED FIVE + SYNCHRO SHUTTLE	15FWD+15REV
SPEED FIVE + CREEPER + SYNCHRO SHUTTLE	20FWD+20REV
SPEED FIVE + POWER SHUTTLE	15FWD+15REV
SPEED FIVE + CREEPER + POWER SHUTTLE	20FWD+20REV
SPEED FIVE + POWER FIVE + POWER SHUTTLE	30FWD+30REV
SPEED FIVE + POWER FIVE + CREEPER + POWER SHUTTLE	40FWD+40REV



DE-CLUTCH FEATURE

The Power Five transmission incorporates a de-clutch button, integrated into the gearshift lever, which controls electro-hydraulically the clutch. The de-clutch button and the power shuttle allow the operator to shift through all gears and change from forward to reverse without using the clutch pedal.

TWO-SPEED PTO WITH MODULATED ENGAGEMENT

The PTO offers two speeds: 540/540e rpm (standard) or 540/1000 rpm (option). An electrohydraulic push button control, standard on all models, enables smooth and modulated engagement of the PTO, ensuring a soft start-up of the implement.





HIGHLIGHTS

- Double pump with 50+28 l/min flow rate or triple pump with 41+41+28 l/min flow rate
- Three front mid-mounted remote valves available with the triple pump
- Rear hitch with position, draft, mixed and float control. Lift capacity 3250 kg
- PTO with two speeds: 540/540e rpm (standard), 540/1000 rpm (optional)

HYDRAULIC SYSTEM WITH DOUBLE OR TRIPLE PUMP

The ROPS models feature as standard a hydraulic system with a double pump that supplies 50 l/min to the rear hitch and remotes and 28 l/min to the steering system. Available as an option is a triple pump that provides a flow rate of 44+41+28 l/m to operate, respectively, the rear hitch and remotes, the front remotes and the steering system. Three mid-mounted front remotes are available on request with the triple pump in combination with a joystick for the control of front-mounted implements.





MECHANICAL HITCH FOR POWER AND VERSATILITY

The mechanical three-point hitch Category 2 features position, draft, mixed and float control and provides a maximum lift capacity of 3250 Kg.

To further enhance the tractor versatility, a front hitch Category 2 capable of lifting up to 1400 kg and a 1000-rpm front PTO can be supplied as an option.

REMOTE VALVE WITH THREE-WAY DIVERTER

An optional remote valve with a three-way diverter enables three pairs of outlets to be obtained via convenient electrohydraulic switches integrated into the control lever. This system allows the hydraulic right lifting rod and the hydraulic top link to be simultaneously operated while leaving at the same time a pair of hydraulic outlets available for other uses.

THREE REAR REMOTE VALVES

The three rear remotes valves are mechanically controlled and feature double outlets allowing the use of front and rear hydraulic couplers. This eliminates the need for a dedicated remote valve.

SUPERIOR OPERATING COMFORT

The rear hitch is mechanically operated via easy-to-use controls ergonomically integrated into the right-hand console.



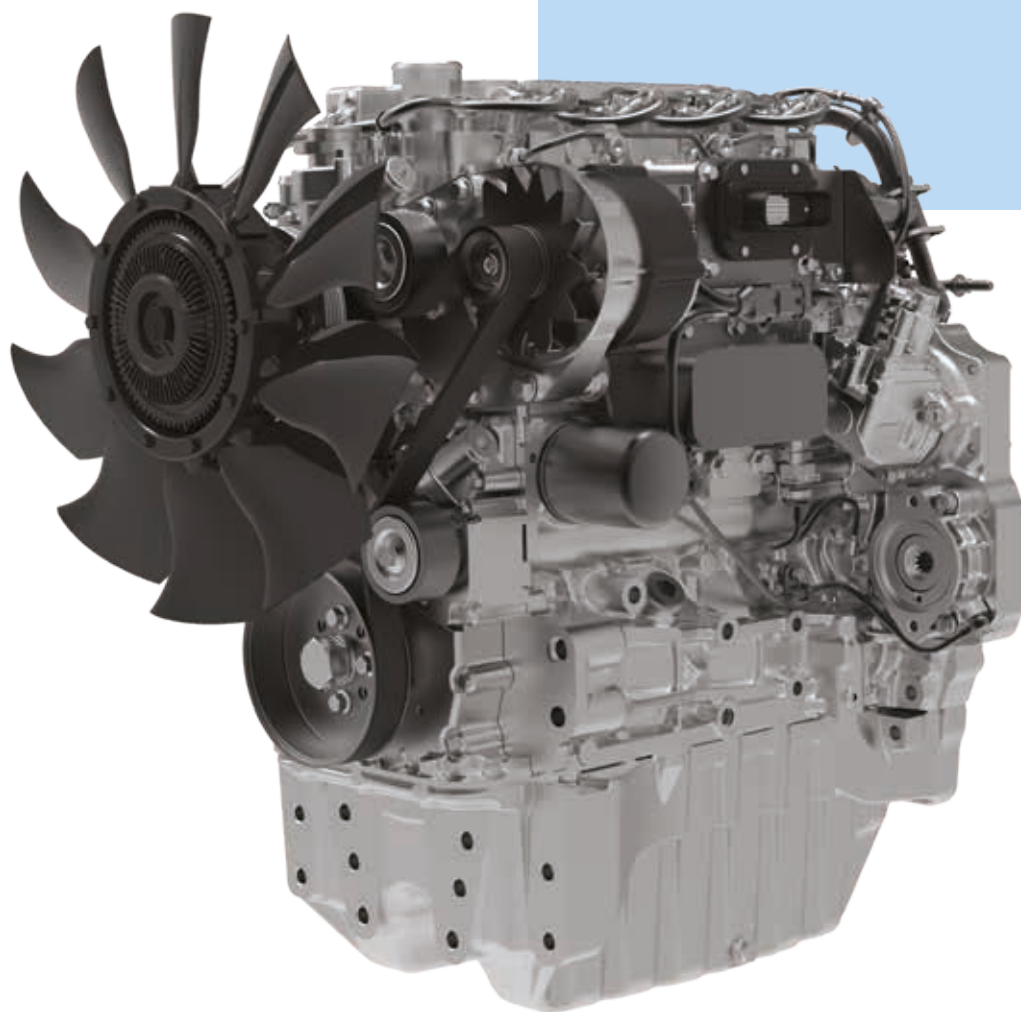


POWER



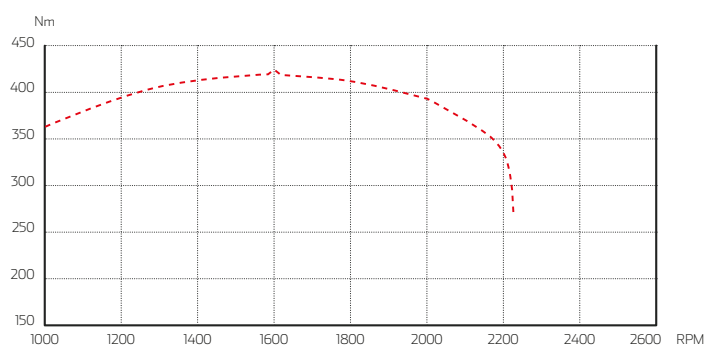
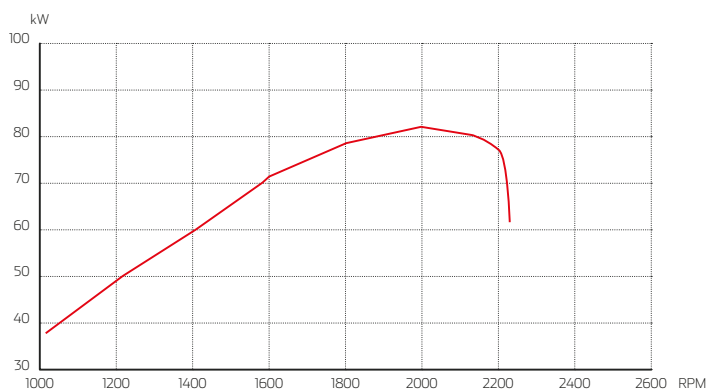
A NEW HEART BEATS UNDER THE HOOD: THE DEUTZ TCD SERIES ENGINE

The REX4 series is powered by the new Deutz TCD L4 2.9L four-cylinder engines. With four valves per cylinder, turbo Intercooler and common rail injection system, these engines deliver more power, higher torque backup and better fuel economy, resulting in great flexibility of use.



The six models in the range provide power ratings from 70 to 112 hp at 2000 rpm. The REX4 tractors are equipped with 80-litre and 90-litre (GT model) fuel tanks for extended run-times between refuelling stops. The fuel consumption is reduced to a minimum thanks to the Engine Memo Switch, a device which allows operator to store and recall the engine speed most suited to the implement used, and to the absence of exhaust gas regeneration system.

MODEL	POWER	MAX. TORQUE
REX4 120 F	82 KW	420 Nm



REX4	POWER	MAX. TORQUE
REX4-070	52 KW	272 NM
REX4-080	56 KW	375 NM
REX4-090	66 KW	380 NM
REX4-100	70 KW	400 NM
REX4-110	75 KW	410 NM
REX4-120	82 KW	420 NM

EGR + DOC SYSTEM: EXHAUST EMISSIONS UNDER CONTROL

An innovative exhaust gas recirculation system (EGR) combined with a diesel oxidation catalyst (DOC) allows the Deutz TCD L4 engines to meet the Stage 3B /Tier 4 Interim emissions regulations without the use of a diesel particulate filter (DPF), thus eliminating the need for a regeneration process.







RELIABILITY

QUICK MAINTENANCE TO GET YOU BACK UP AND RUNNING

Designed to deliver maximum efficiency and reliability, the REX4 range offers a variety of solutions to simplify and expedite maintenance. For example, the tilt-up hood opens wide and the side panels can be removed to provide easy access to the engine compartment for maintenance and radiator cleaning.

1. Oil filler cap is placed in the lower part of the engine, so topping up of engine oil can be done without opening the hood.
2. Engine air filter is positioned in such a way as to facilitate cleaning and replacement.
3. The cooling radiators, mounted in the engine front, and the laterally-removable dust cover allow simple and fast cleaning.
4. The fuel tank is conveniently placed behind the driving position to allow quick filling.
5. In-cab air filter is easily accessible for maintenance.
6. Oil level in the transmission can be conveniently checked through the oil filler cap with dipstick placed on the rear of the tractor.
7. Windscreen wiper fluid reservoir is located on the back of the cab.



TRADITION



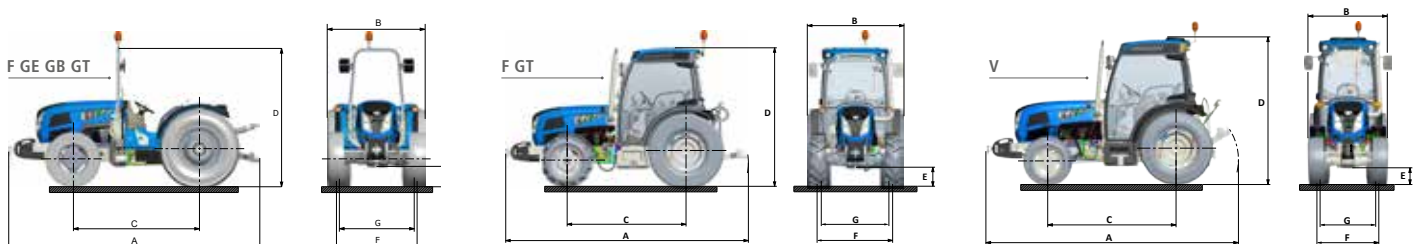
LANDINI, A LONG HISTORY OF SUCCESS

Giovanni Landini had a dream: to change forever the history of farming by bringing the power of machines into the fields. He pursued his goal with great determination and, in 1884, he finally realised his dream by founding the Landini company. Landini's long history is marked by continued innovation in design and production processes and by a strong commitment and dedication to customers. In 1982, the company produced its first specialized orchard tractors. In 1986, Landini extended its line of specialty tractors with the addition of a vineyard tractor range. In 1994, Landini was acquired by the Argo Industrial Group. The acquisition enabled the company to expand its international presence by creating a worldwide network of subsidiaries and distributors. Giovanni Landini's dream was to make farm work less tiring and more productive. This dream is still alive today, as our quality of life is closely linked to the quality of agricultural production.

		REX4-070 F-GE-GB-V	REX4-080 F-GE-GB-GT-V	REX4-090 F-GE-GB-GT-V	REX4-100 F-GE-GB-GT-V	REX4-110 F-GE-GB-GT-V	REX4-120 F-GE-GB-GT
ENGINE							
DEUTZ STAGE 3B / TIER4 INTERIM		2,9 TCD L4	2,9 TCD L4	2,9 TCD L4	2,9 TCD L4	2,9 TCD L4	2,9 TCD L4
MAX POWER ISO	HP/KW	70/52	76/56	90/66	95/70	102/75	112/82
RATED SPEED	RPM	2200	2200	2200	2200	2200	2200
MAX TORQUE	NM	272	375	380	400	410	420
DISPLACEMENT/CYLINDERS	CM ³	2900/4 TA	2900/4 TA	2900/4 TA	2900/4 TA	2900/4 TA	2900/4 TA
ENGINE MEMO SWITCH		●	●	●	●	●	●
FUEL TANK CAPACITY - CAB MODELS F-V /GT	L	80	80 / 90	80 / 90	80 / 90	80 / 90	80 / 90
FUEL TANK CAPACITY - ROPS MODELS F-GE-GB /GT	L	65	65 / 82	65 / 82	65 / 82	65 / 82	65 / 82
CLUTCH							
INDEPENDENT DRY DUAL CLUTCH	IN	12	12	12	12	12	12
MECHANICALLY OPERATED		●	●	●	●	●	●
MULTI-DISC WET CLUTCH		○	○	○	○	○	○
DE-CLUTCH CONTROL: BUTTON-OPERATED CLUTCH		○	○	○	○	○	○
TRANSMISSION - CAB MODELS							
SPEED FOUR + SYNCHRO SHUTTLE 12FWD+12REV		●	●	●	●	●	●
SPEED FOUR + CREEPER + SYNCHRO SHUTTLE 16FWD+16REV		○	○	○	○	○	○
SPEED FOUR + POWER FOUR + CREEPER + SYNCHRO SHUTTLE 32FWD+32REV		○	○	○	○	○	○
SPEED FOUR + POWER SHUTTLE 12FWD+12REV		○	○	○	○	○	○
SPEED FOUR + CREEPER + POWER SHUTTLE 16FWD+16REV		○	○	○	○	○	○
SPEED FOUR + POWER FOUR + CREEPER + POWER SHUTTLE 32FWD+32REV		○	○	○	○	○	○
SPEED FOUR + T-TRONIC + POWER SHUTTLE 36FWD+12REV		○	○	○	○	○	○
SPEED FOUR + T-TRONIC + CREEPER + POWER SHUTTLE 48FWD+16REV		○	○	○	○	○	○
ECO FORTY (40 KM/H) AT REDUCED ENGINE SPEED		○	○	○	○	○	○
PARK LOCK WITH POWER SHUTTLE		○	○	○	○	○	○
TRANSMISSION – ROPS MODELS							
SPEED FOUR + SYNCHRO SHUTTLE 12FWD+12REV		●	●	●	●	●	●
SPEED FOUR + CREEPER + SYNCHRO SHUTTLE 16FWD+16REV		○	○	○	○	○	○
SPEED FIVE + SYNCHRO SHUTTLE 15FWD+15REV		○	○	○	○	○	○
SPEED FIVE + CREEPER + SYNCHRO SHUTTLE 20FWD+20REV		○	○	○	○	○	○
SPEED FIVE + POWER SHUTTLE 15FWD+15REV		○	○	○	○	○	○
SPEED FIVE + CREEPER + POWER SHUTTLE 20FWD+20REV		○	○	○	○	○	○
SPEED FIVE + POWER FIVE + POWER SHUTTLE 30FWD+30REV		○	○	○	○	○	○
SPEED FIVE + POWER FIVE + CREEPER + POWER SHUTTLE 40FWD+40REV		○	○	○	○	○	○
POWER TAKE-OFF							
CONTROL BY POWER-ASSISTED PUSH-BUTTON		●	●	●	●	●	●
AUTO PTO WITH ELECTRONICALLY-CONTROLLED HITCH		○	○	○	○	○	○
2 SPEEDS 540/540E RPM		○	○	○	○	○	○
2 SPEEDS 540/1000 RPM		○	○	○	○	○	○
4 SPEEDS 540/540E /1000/1000E RPM (ONLY FOR CAB MODELS)		○	○	○	○	○	○
1"3/8 (34,9MM) PTO SHAFT WITH 6 SPLINES		●	●	●	●	●	●
GROUND SPEED PTO		○	○	○	○	○	○
FRONT AXLE							
ELECTROHYDRAULIC 4WD ENGAGEMENT		●	●	●	●	●	●
MAX STEERING ANGLE		55°	55°	55°	55°	55°	55°
TWIN-LOCK ELECTROHYDRAULIC DIFF LOCK F,GE,GB,GT / V		○/–	○/–	○/–	○/–	○/–	○
LIMITED SLIP DIFF LOCK F,GE,GB,GT / V		●/–	●/–	●/–	●/–	●/–	●
SUSPENDED AXLE F, GT (ONLY FOR CAB MODELS)		○	○	○	○	○	○
TWIN-LOCK ELECTROHYDRAULIC DIFF LOCK FOR SUSPENDED AXLE F, GT (ONLY FOR CAB MODELS)		○	○	○	○	○	○
BRAKES							
WET MULTI-DISC REAR BRAKES		●	●	●	●	●	●
AUTOMATIC 4WD ENGAGEMENT ON BRAKING		●	●	●	●	●	●
WET MULTI-DISC FRONT BRAKES F,GE,GB,GT / V		○/–	○/–	○/–	○/–	○/–	○
HYDRAULIC TRAILER BRAKING		○	○	○	○	○	○
FRONT HYDRAULIC HITCH							
LIFT CAPACITY F/GT/V WITH CAB	KG	1400	1400	1400	1400	1400	1400
LIFT CAPACITY F/GT WITH ROPS	KG	1400	1400	1400	1400	1400	1400
1000-RPM FRONT PTO F/GT/V WITH CAB		○	○	○	○	○	○
1000-RPM FRONT PTO F/GT WITH ROPS		○	○	○	○	○	○

		REX4-070 F-GE-GB-V	REX4-080 F-GE-GB-GT-V	REX4-090 F-GE-GB-GT-V	REX4-100 F-GE-GB-GT-V	REX4-110 F-GE-GB-GT-V	REX4-120 F-GE-GB-GT
REAR HYDRAULIC HITCH							
DRAFT, POSITION AND MIXED AND FLOAT CONTROL		●	●	●	●	●	●
MECHANICALLY OPERATED		●	●	●	●	●	●
E.L.S. ERGONOMIC LIFT SYSTEM (ONLY FOR CAB MODELS)		○	○	○	○	○	○
ELECTRONICALLY-CONTROLLED (ONLY FOR CAB MODELS)		○	○	○	○	○	○
STANDARD LIFT CAPACITY (ONLY FOR CAB MODELS)	KG	2700	2700	2700	2700	2700	2700
LIFT CAPACITY WITH 2 ASSISTOR RAMS (ONLY GT WITH CAB)	KG	-	3400	3400	3400	3400	3400
STANDARD LIFT CAPACITY (ONLY FOR ROPS MODELS)	KG	2600	2600	2600	2600	2600	2600
LIFT CAPACITY WITH 2 ASSISTOR RAMS (ONLY F-GT WITH ROPS)	KG	3250	3250	3250	3250	3250	3250
PUMP FLOW RATE (HITCH + STEERING)	L/MIN	50 + 28	50 + 28	50 + 28	50 + 28	50 + 28	50 + 28
THREE-POINT LINKAGE CATEGORY 2		●	●	●	●	●	●
HYDRAULIC ADJUSTMENT OF RIGHT LIFTING ROD		○	○	○	○	○	○
REMOTE VALVES STD (CAB / ROPS)		2 / 1	2 / 1	2 / 1	2 / 1	2 / 1	2 / 1
MID-MOUNTED REMOTE VALVES		○	○	○	○	○	○
TRIPLE PUMP FLOW RATE (STEERING + HITCH + REMOTES)		28 + 41 + 41	28 + 41 + 41	28 + 41 + 41	28 + 41 + 41	28 + 41 + 41	28 + 41 + 41
TRIPLE PUMP + 3 FRONT REMOTES + JOYSTICK		○	○	○	○	○	○
CAB AND DRIVING POSITION							
LOUNGE CAB / RADIO ADAPTOR		●	●	●	●	●	●
FILTER CATEGORY F,GT,V / F,GT		2 ● / 4 ○	2 ● / 4 ○	2 ● / 4 ○	2 ● / 4 ○	2 ● / 4 ○	2 ● / 4 ○
HEATING / VENTILATION		●	●	●	●	●	●
AIR-CONDITIONING		●	●	●	●	●	●
OPENING FRONT AND REAR WINDSCREENS		●	●	●	●	●	●
DIGITAL INSTRUMENT PANEL		●	●	●	●	●	●
ISOBUS ADAPTOR		○	○	○	○	○	○
SATELLITE GUIDANCE KIT (8" MONITOR + ANTENNA)		○	○	○	○	○	○
ISO-MOUNTED PLATFORM		●	●	●	●	●	●
DIMENSIONS AND WEIGHTS – CAB MODELS (IN RUNNING ORDER)							
		F / V	F / GT / V	F / GT / V	F / GT / V	F / GT / V	F / GT
A LENGTH 4WD	MM	4370 / 4310	4370 / 4370 / 4310	4370 / 4370 / 4310	4370 / 4370 / 4310	4370 / 4370 / 4310	4370 / 4310
B MIN WIDTH	MM	1342 / 1003	1342 / 1478 / 1003	1342 / 1478 / 1003	1342 / 1478 / 1003	1342 / 1478 / 1003	1342 / 1478
C WHEELBASE 4WD	MM	2140 / 2190	2140 / 2140 / 2190	2140 / 2140 / 2190	2140 / 2140 / 2190	2140 / 2140 / 2190	2140 / 2140
D MIN HEIGHT OVER CAB	MM	2400 / 2400	2400 / 2400 / 2400	2400 / 2400 / 2400	2400 / 2400 / 2400	2400 / 2400 / 2400	2400 / 2400
E MIN GROUND CLEARANCE 4WD	MM	250 / 230	250 / 250 / 230	250 / 250 / 230	250 / 250 / 230	250 / 250 / 230	250 / 250
F MIN FRONT TRACK 4WD	MM	1018 / 839	1018 / 1178 / 839	1018 / 1178 / 839	1018 / 1178 / 839	1018 / 1178 / 839	1018 / 1178
G MIN REAR TRACK 4WD	MM	1016 / 760	1016 / 1117 / 760	1016 / 1117 / 760	1016 / 1117 / 760	1016 / 1117 / 760	1016 / 1117
WEIGHT 4WD IN RUNNING ORDER WITHOUT BALLASTS	KG	2800 / 2800	2800 / 3000 / 2800	2800 / 3000 / 2800	2800 / 3000 / 2800	2800 / 3000 / 2800	2800 / 3000
DIMENSIONS AND WEIGHTS – ROPS MODELS (IN RUNNING ORDER)							
		F / GE / GB	F / GE / GB / GT	F / GE / GB / GT	F / GE / GB / GT	F / GE / GB / GT	F / GE / GB / GT
A LENGTH 4WD	MM	4285	4285	4285	4285	4285	4285
B MIN WIDTH	MM	1313 / 1350 / 1348	1313 / 1350 / 1348 / 1550	1313 / 1350 / 1348 / 1550	1313 / 1350 / 1348 / 1550	1313 / 1350 / 1348 / 1550	1313 / 1350 / 1348 / 1550
C WHEELBASE 4WD	MM	2150	2150	2150	2150	2150	2150
D MIN HEIGHT OVER ROPS	MM	2261 / 2236 / 2211	2261 / 2236 / 2211 / 2261	2261 / 2236 / 2211 / 2261	2261 / 2236 / 2211 / 2261	2261 / 2236 / 2211 / 2261	2261 / 2236 / 2211 / 2261
E MIN GROUND CLEARANCE 4WD	MM	413 / 398 / 373	413 / 398 / 373 / 413	413 / 398 / 373 / 413	413 / 398 / 373 / 413	413 / 398 / 373 / 413	413 / 398 / 373 / 413
F MIN FRONT TRACK 4WD	MM	1118 / 1208 / 1155	1118 / 1208 / 1155 / 1268	1118 / 1208 / 1155 / 1268	1118 / 1208 / 1155 / 1268	1118 / 1208 / 1155 / 1268	1118 / 1208 / 1155 / 1268
G MIN REAR TRACK 4WD	MM	987 / 988 / 989	987 / 988 / 989 / 1147	987 / 988 / 989 / 1147	987 / 988 / 989 / 1147	987 / 988 / 989 / 1147	987 / 988 / 989 / 1147
WEIGHT 4WD IN RUNNING ORDER WITHOUT BALLASTS	KG	2845 / 2540 / 2540	2845 / 2540 / 2540 / 2865	2845 / 2540 / 2540 / 2865	2845 / 2540 / 2540 / 2865	2845 / 2540 / 2540 / 2865	2845 / 2540 / 2540 / 2865
OPTIONAL EQUIPMENT							
6 FRONT BALLASTS 36 KG EACH		○	○	○	○	○	○
4 REAR BALLASTS 42 KG EACH		○	○	○	○	○	○

Key: ● standard ○ option – not available





Landini®

Passion for Innovation.

